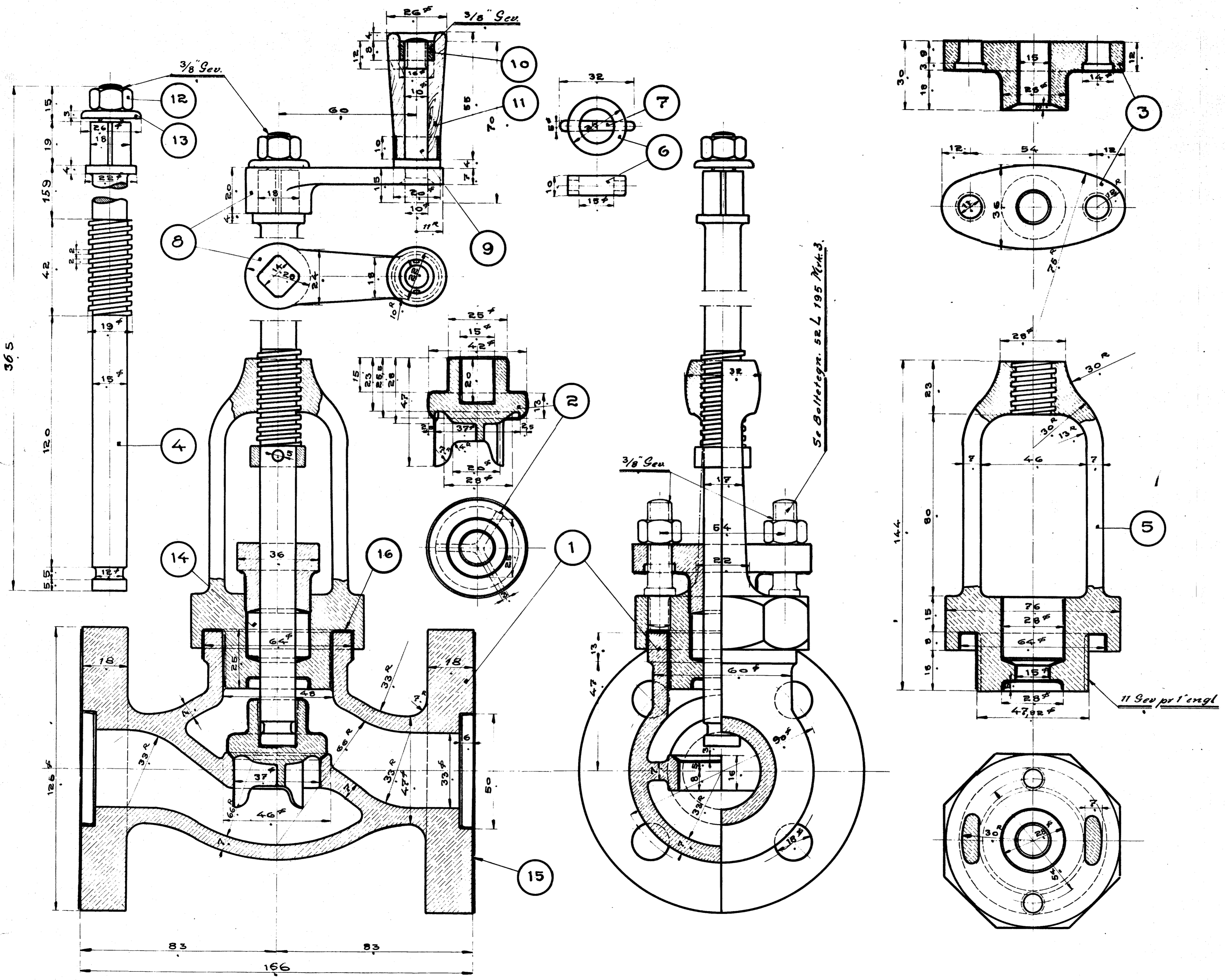


31067.

BETEGNELSE.

1	2	Ventilhus	Havn brons	offr Tegn.	52 L 7 148
2	2	Ventilkegle	---	---	148 2
3	2	Pakbøsning	---	---	148 3
4	2	Spindel	Yellow Metal	rem.	25 x 740
5	2	Spindelstyr	Havn brons	offr Tegn.	52 L 8 148
6	2	Stopring	Yellow Metal	rem.	25 x 40
7	2	Konisk stift	Fluss jern	---	6 x 80
8	2	Arm	---	---	30 x 30 x 120
9	2	Tap	---	---	22 x 160
10	2	Møttrik	Fluss jern	---	16 x 30
11	2	Haandtag	Træ	---	30 x 60
12	2	Møttrik 3/8"	Nitte jern	---	---
13	2	Skive	Fluss jern	---	26 x 20
14	2	Pakning	Asbest snor	---	1/4 x 600
15	4	do	Asbest	---	500 x 130 x 15
16	2	Pakning	Klins- gerit	---	140 x 70 x 1
17					



Se Bølltegn. 52 L 195 Nr. 3.

11 Sev pr 1 engl

Injektordampventil

10-H.T. Lokomotiv
Gr. 4

10.7.25
1:1

52 L 148

A. S. Andersen