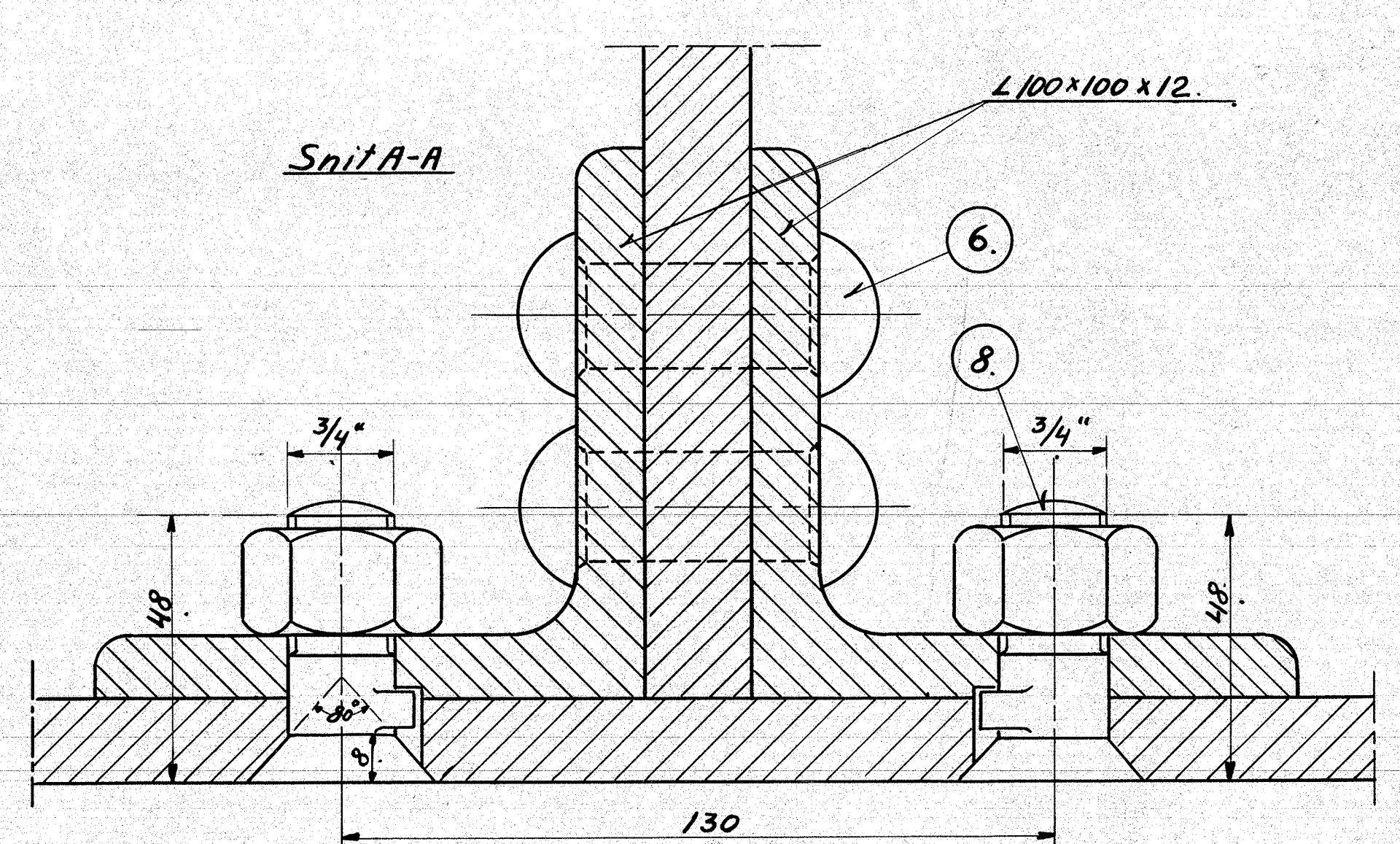
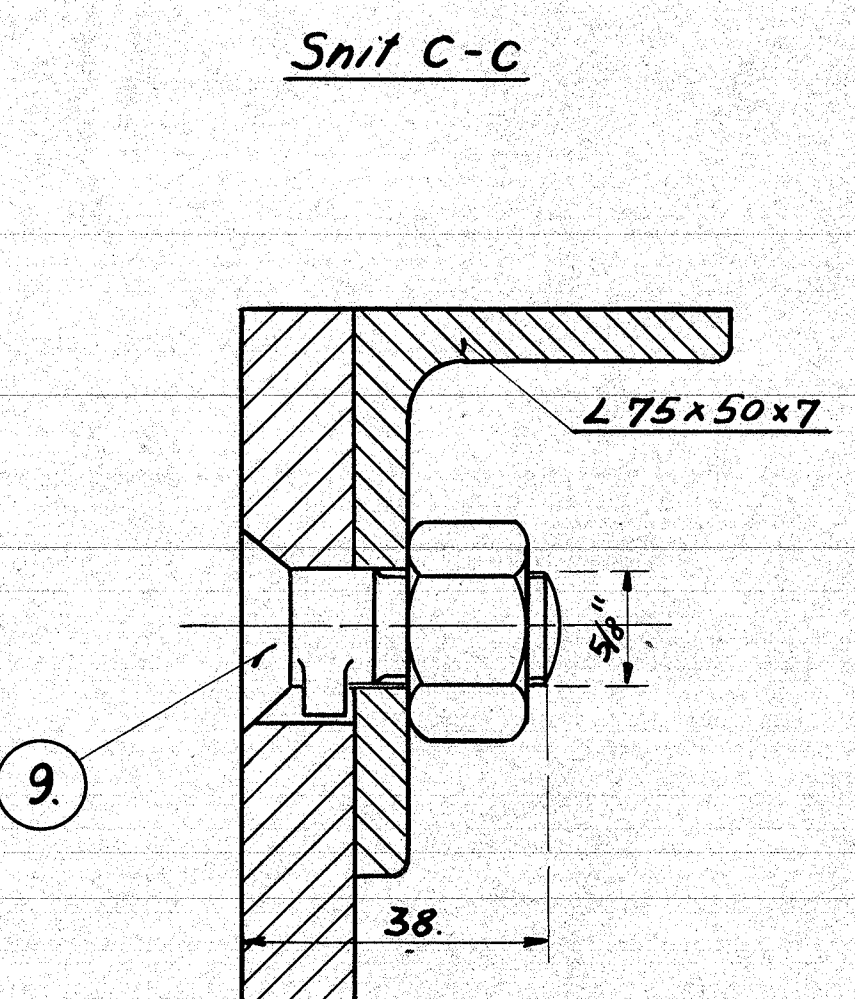
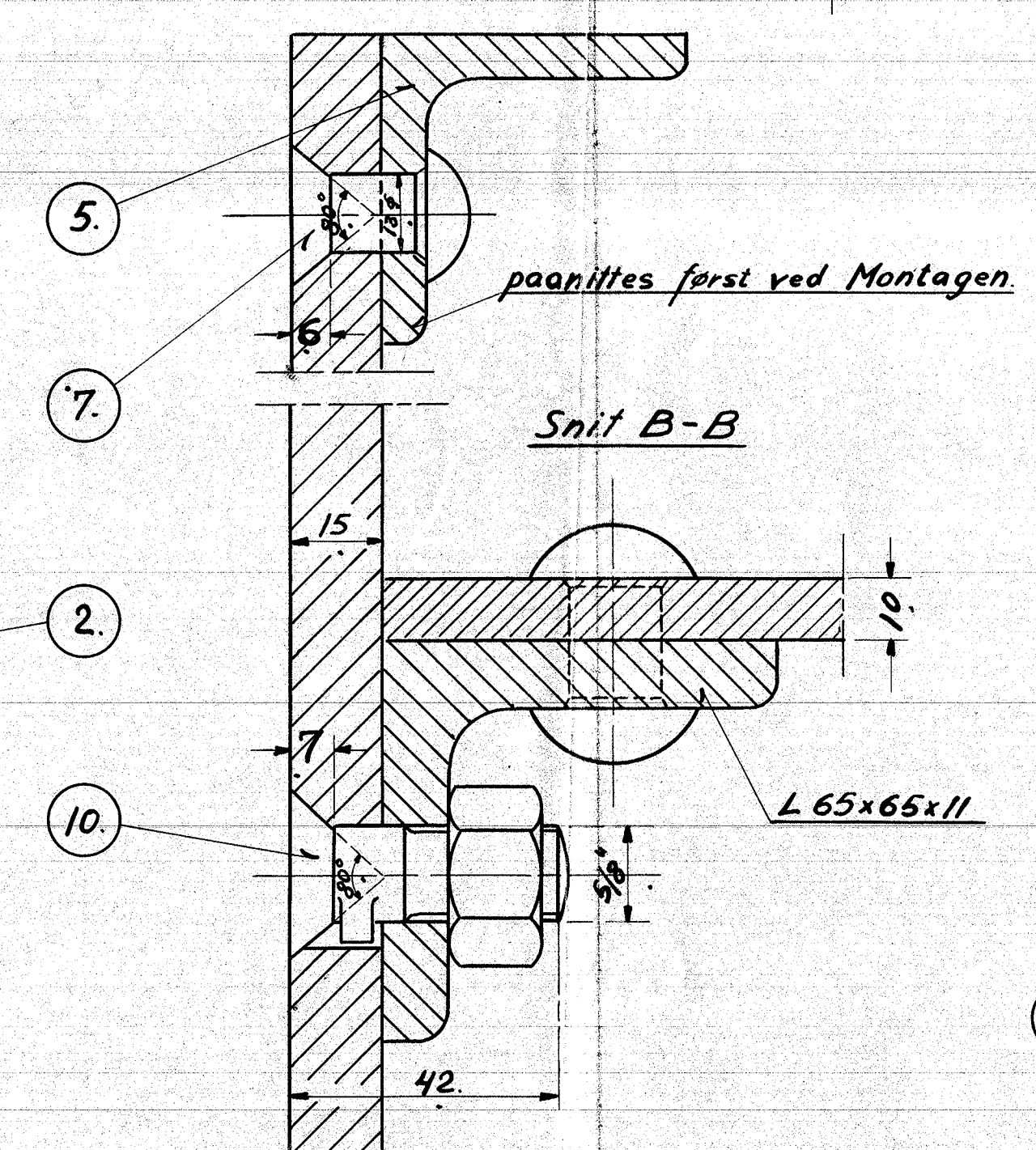
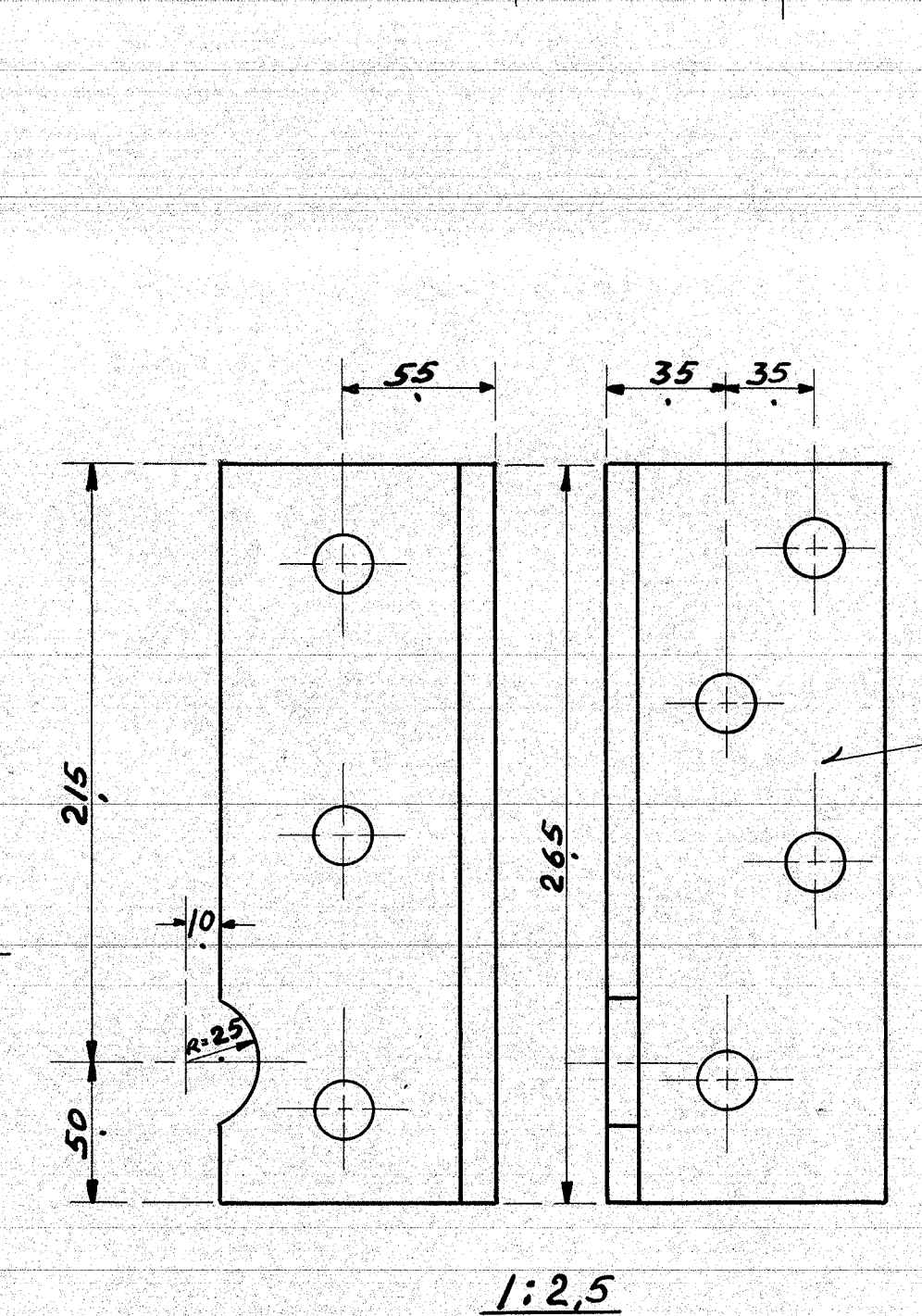
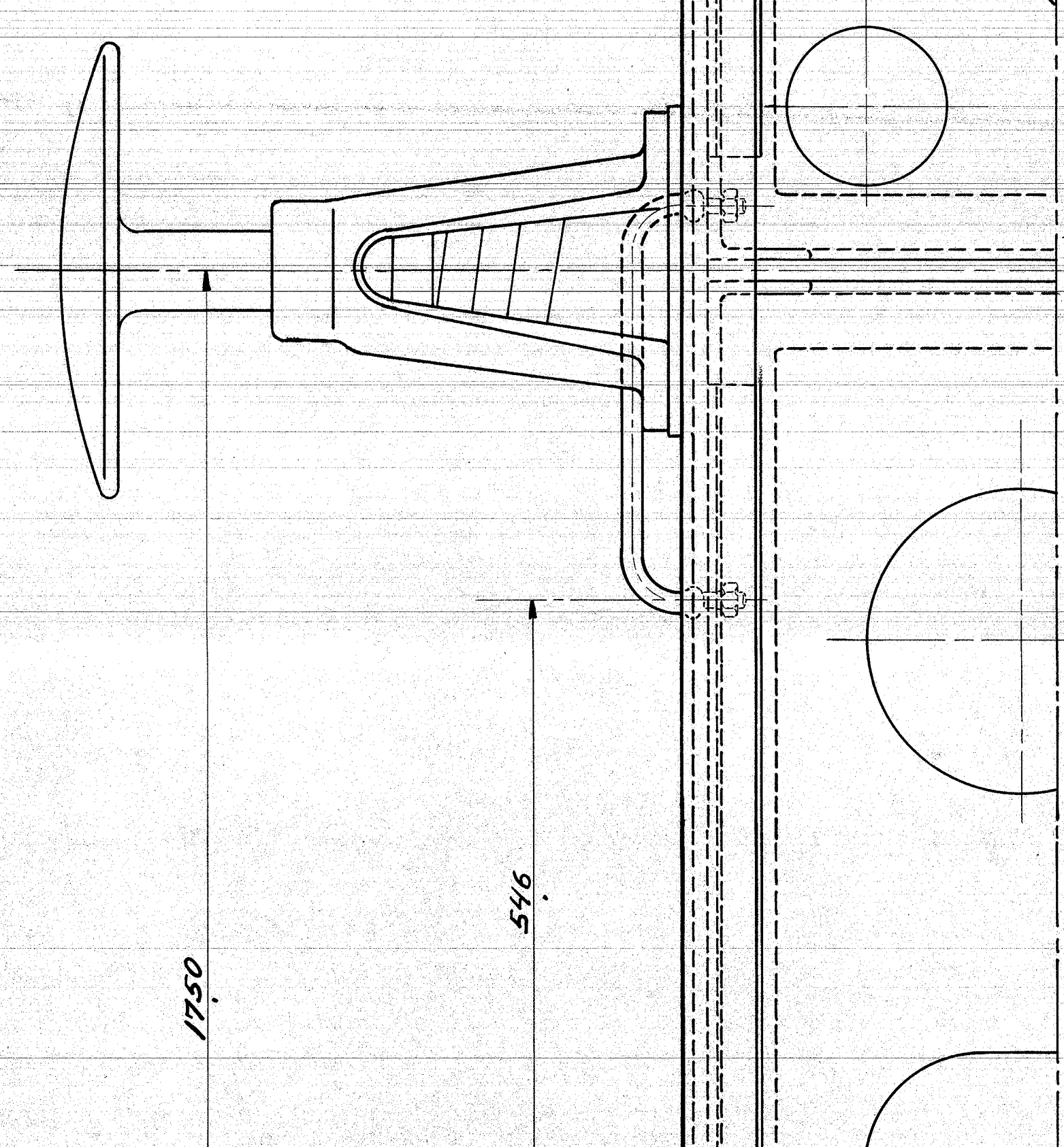
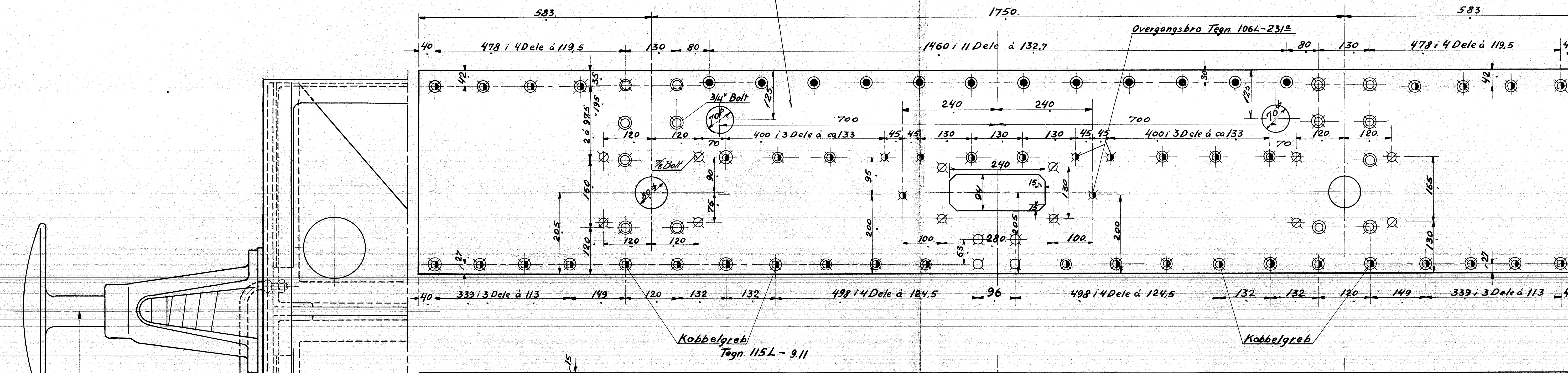
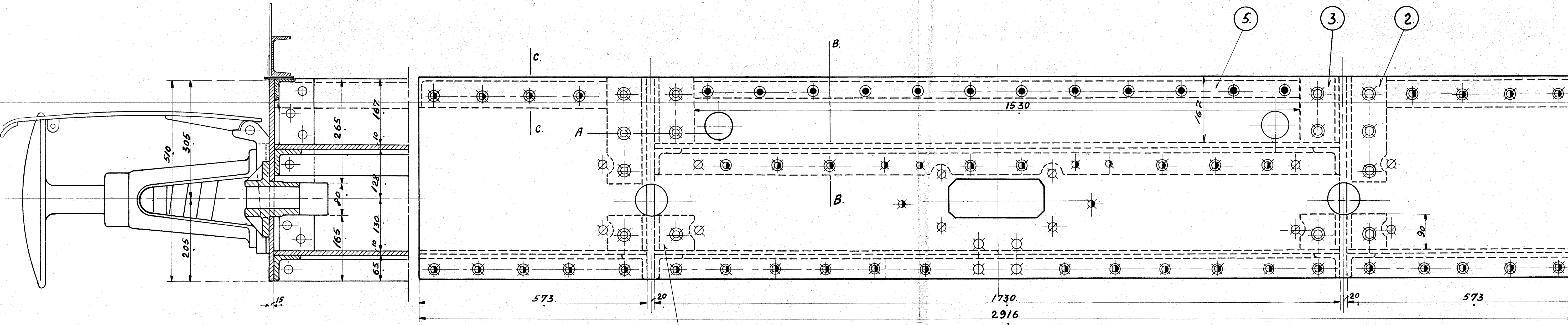


NO.	ART.	MÅL	MATERIAL	NOTER
1.	2. Plade.	254x	Flussj 2950x520x15	
2.	4 Lige Vinkel 265lg.	265	L 100x100x12	
3.	4 "	167lg.	"	
4.	8 "	90lg.	"	
5.	2 "	1530lg.	"	
6.	24 Nagle 20x76	Nullej	Best.	
7.	24 "	13x35	"	
8.	28 Sortunders. Bolt	Møtrik 7/8x48	Flussj	
9.	16 de "	"	5/8x32	
10.	52 do "	"	5/8x36	



- 7/8 Bolt
- 3/4 Bolt
- 5/8 Bolt

A/S FRICH'S AARHUS

Pufferplanke

Diesel-elekt. 375 HK Motorloko

Skema

KALORIF. Hollands 1:5

BYGGERIET Fritsch 1:1

14/9-33

128L-9.01a

1/4 3/4 a) 2 5/8 70° Huller for Bremsedr.