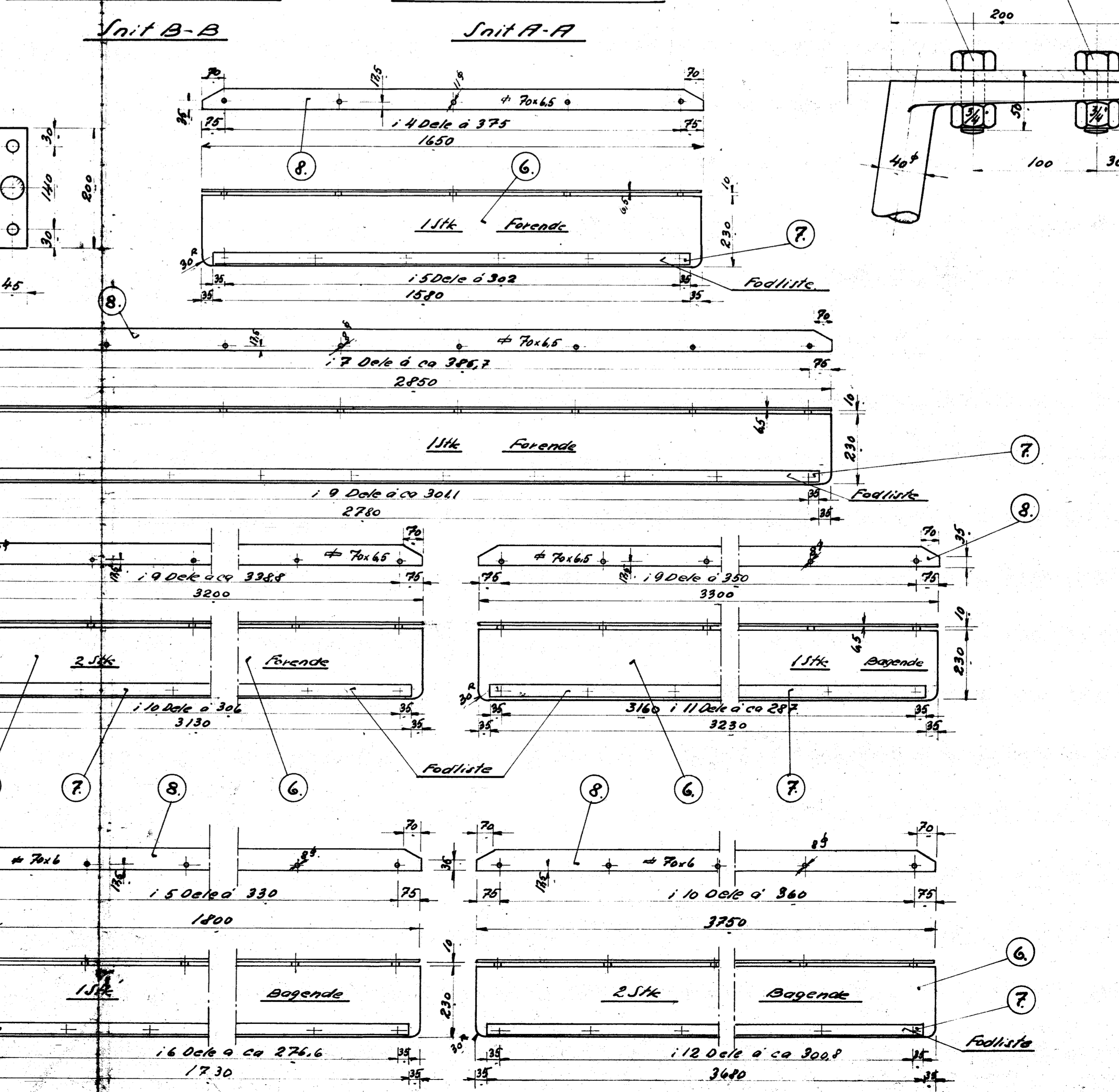
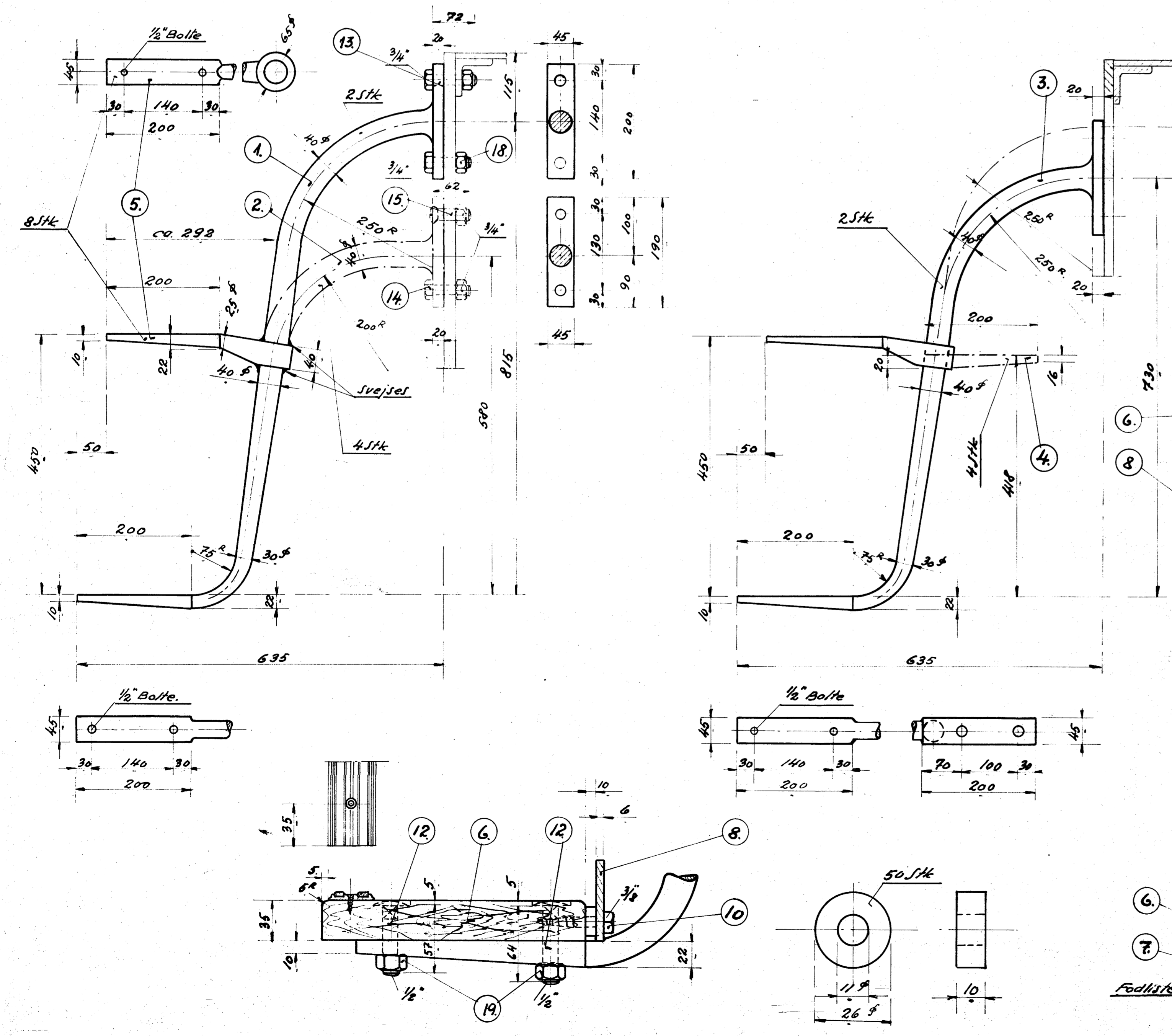


51449

1.	2.	Holder.	Flu	60x60x200
2.	4.	do.	"	"x"x1000
3.	2.	do.	"	"x"x100
4.	4.	do.	"	42x42x100
5.	8.	do.	"	60x60x100
6.	8.	Trin 230x35x10x1.5	Flu	Kudde
7.	8.	Malingister 1/4 Blindly	"	23x100x6
8.	8.	Luster fork Lgd.	Flu	70x60x200
9.	71.	Alustandviller	"	25x110
10.	71.	Traktorer 1/4x60	"	Magnon
11.	85.	do 1/10.22	"	"
12.	40.	Bræddebolt 1/2"x5/8"	"	"
13.	2.	Bolt nr. 750 nr. 28.943	Flu	51x42x100
14.	10.	do	"	"
15.	4.	do	28.944	61x49 - 9
16.	4.	do	28.943	61x44 - 7
17.	4.	do	"	" - 5
18.	24.	Matrik 1/4"	M.H.	Best
19.	44.	do 1/2"	"	"
20.	4.	Bræddebolt 1/2"x5/8"	Flu	Magnon



Sidestrin.
 Drevet af 1750 Nr. 116. Motorfabrik.
 1. Høj
 S.N. 116 1.5
 1.25
 10-1-32/11
 115L-14.11