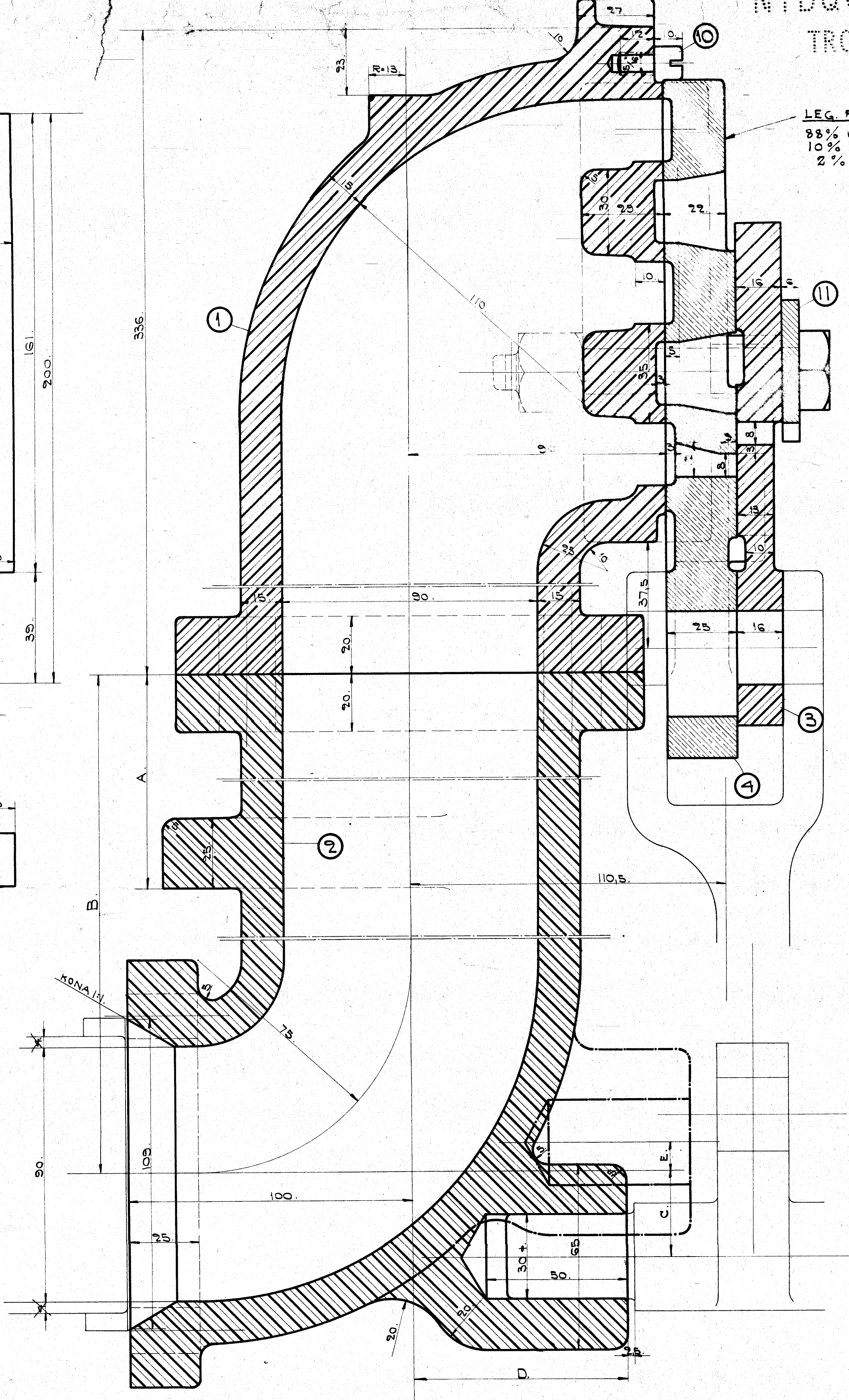
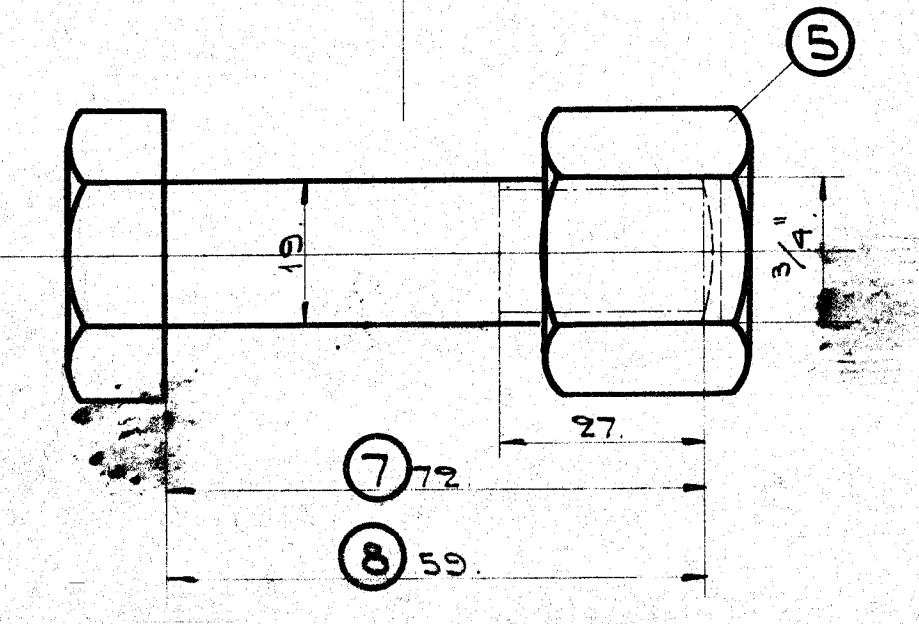
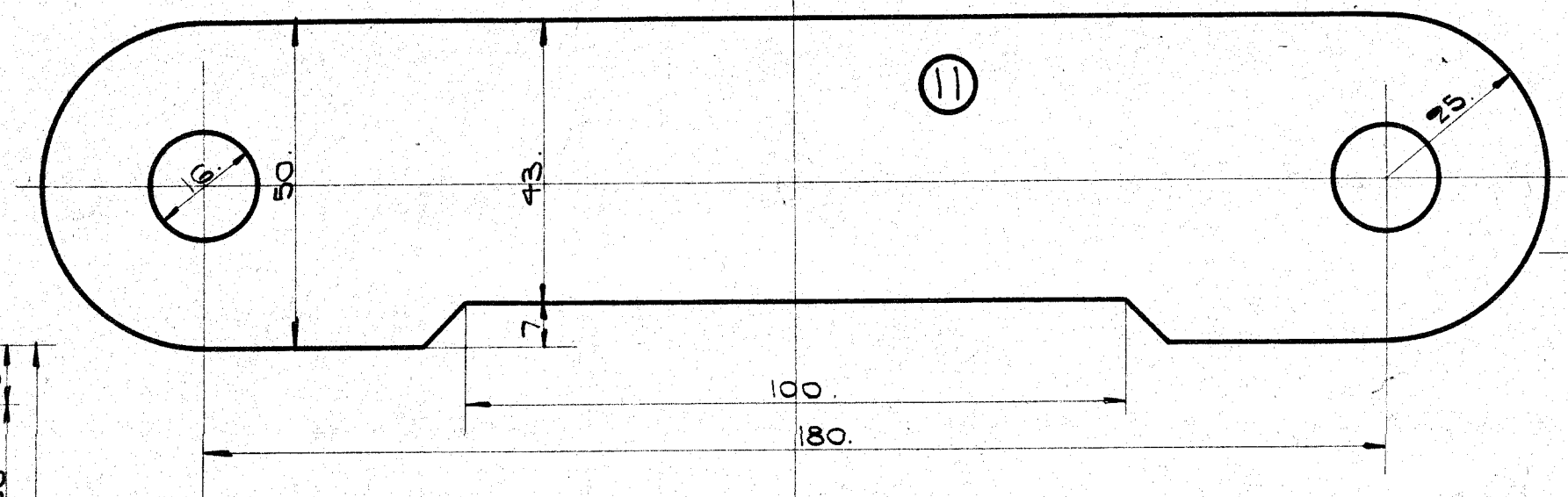
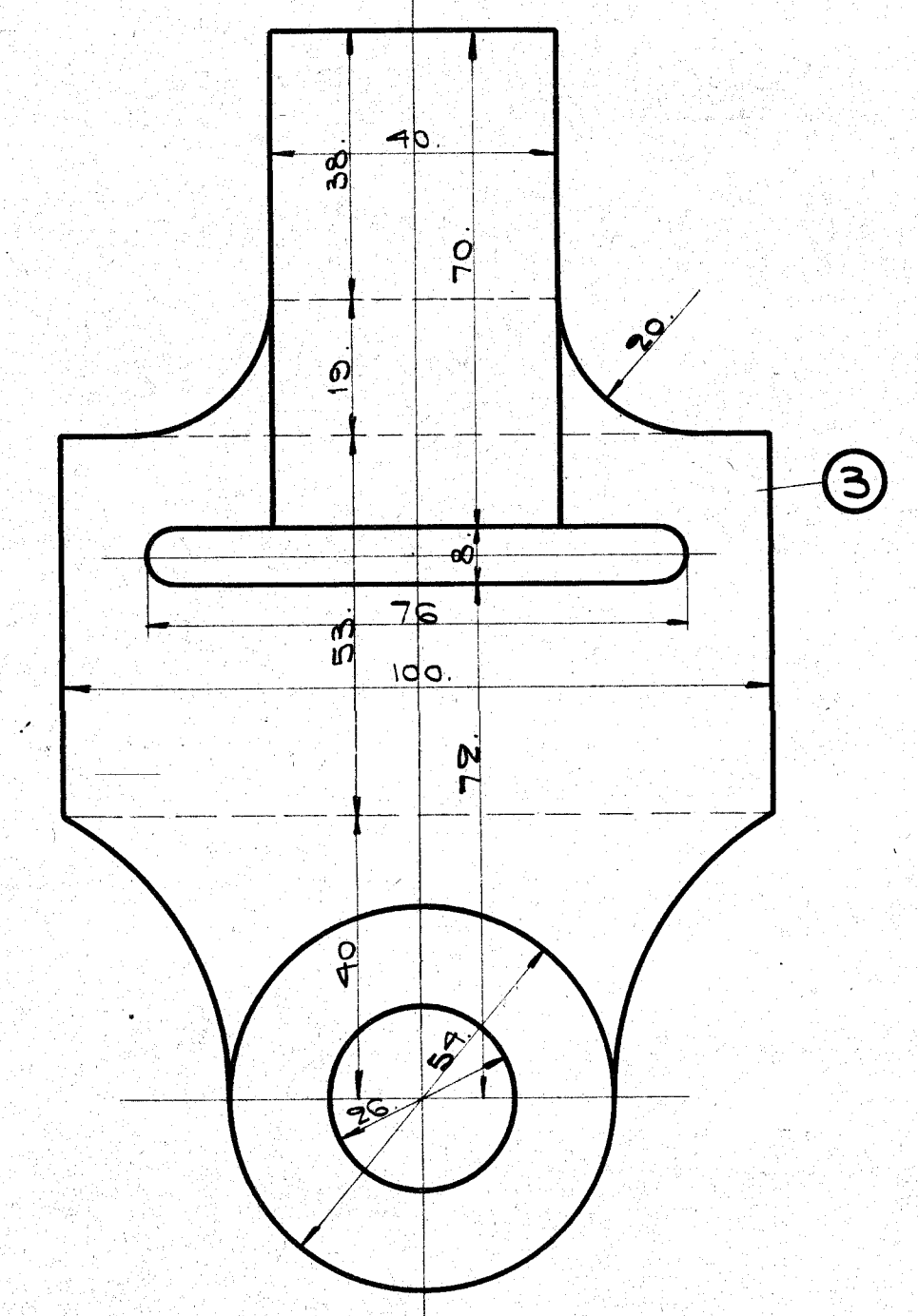
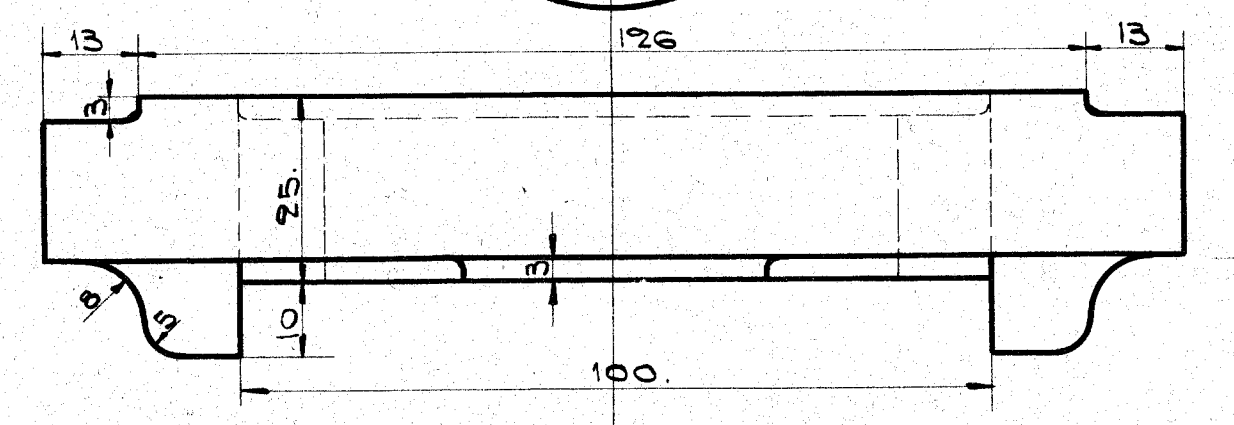
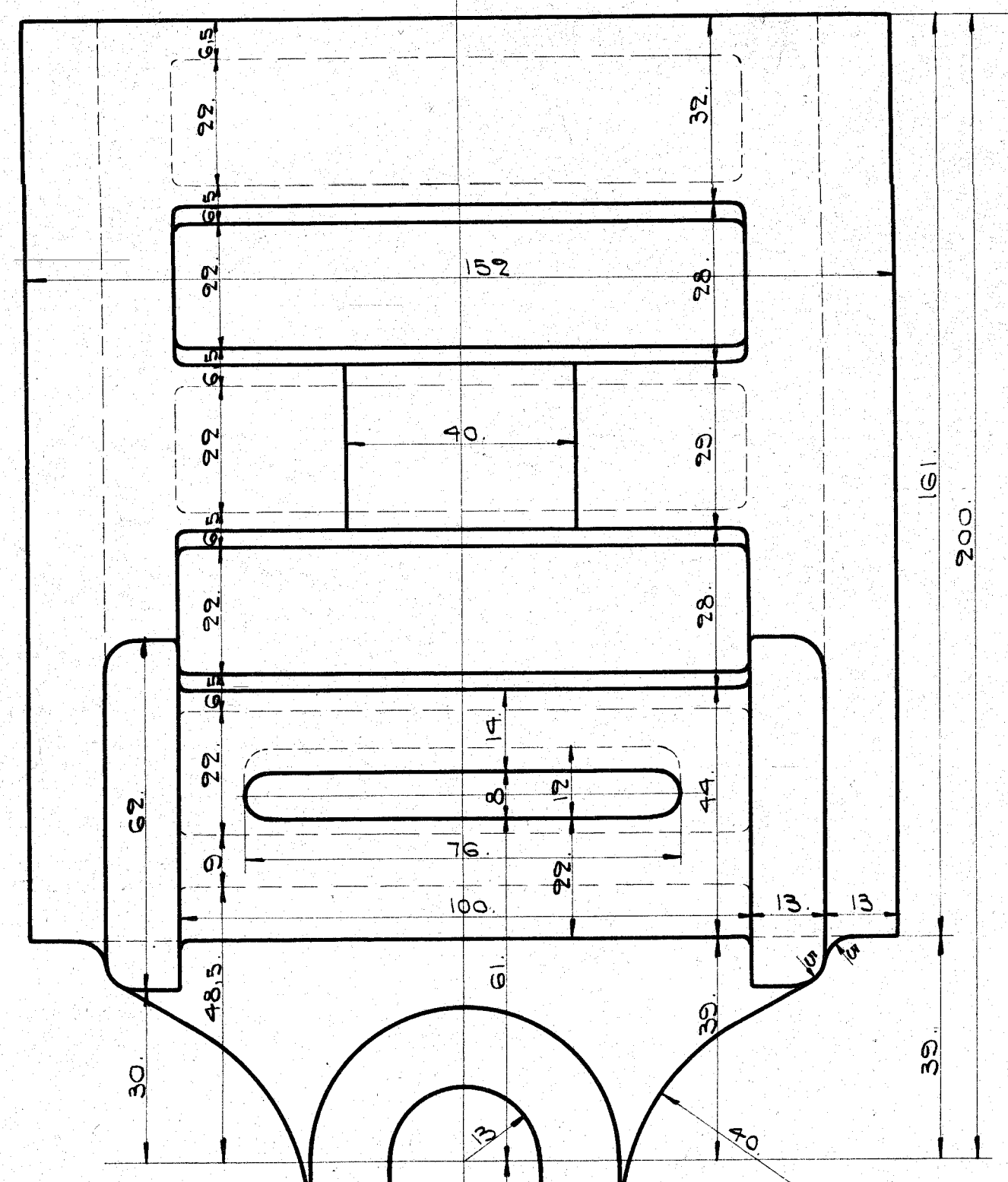
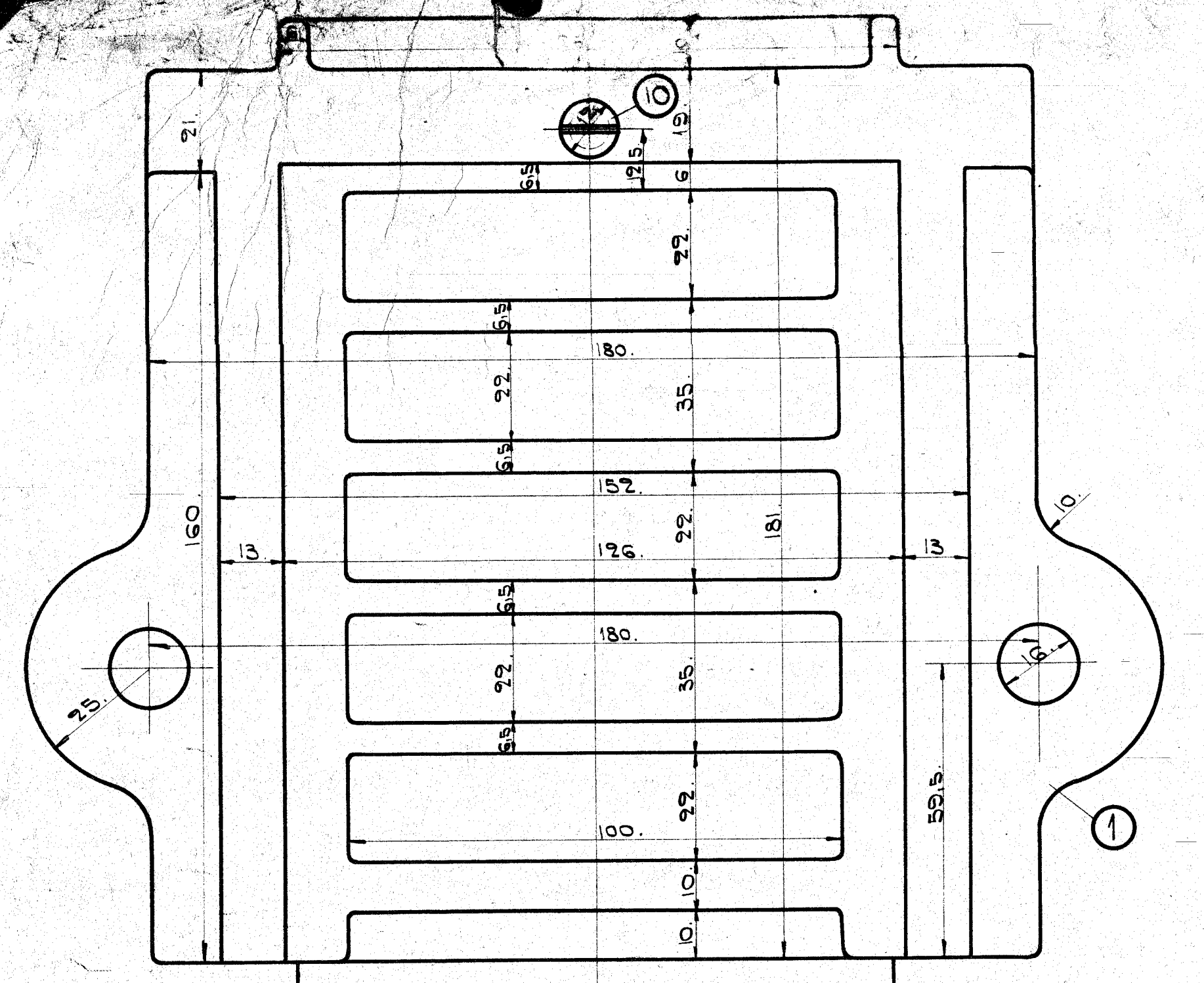


NYDOVIST & HOLM
TROLLHÄTTAN.



LEG. FÖR LOK 1051-2
88% KOPPAR
10% BANGA-TENN
2% FOSFOR KOPPAR (5% FOSFOR)

SLAGS 35

SMIDESDETALJER SE D. 6087.

| DET. Nr | MOD. Nr | ST. | MAT. | BENÄMNING. | ANM. | BEST. Nr | BESTÄLLARE | ST. | A | B | C | D | E | ANM. | M.F. Nr |
|---------|---------|-----|--------|--------------------|--------------|----------|------------|-----|---|---|---|---|---|------|---------|
| 1 | 9 | 1 | BJÄRN | REGULATOR ÖFVERDEL | MOD. ÄNDRAS. | | | | | | | | | | |
| 2 | 10 | 1 | | UNDERDEL | | | | | | | | | | | |
| 3 | 3625 | 1 | | ÅPLÄSTNINGSLID | MOD. ÄNDRAS | | | | | | | | | | |
| 4 | 7 | 1 | METALL | SLID | | | | | | | | | | | |
| 5 | 6 | 6 | | MUTTER 3/4" | | | | | | | | | | | |
| 6 | 2 | 2 | | 5/8" | | | | | | | | | | | |
| 7 | 4 | 4 | STJÄRN | SKRUF 3/4" | L=72 | | | | | | | | | | |
| 8 | 4 | 4 | | 3/4" | L=59 | | | | | | | | | | |
| 9 | 2 | 2 | | 5/8" | L=108 | | | | | | | | | | |
| 10 | 1 | 1 | | 3/16" | L=12 | | | | | | | | | | |
| 11 | 1 | 1 | | PLATTJÄRN | | | | | | | | | | | |
| 12 | 2 | 2 | | SAXPINNE 4 1/2" | | | | | | | | | | | |
| 13 | 2 | 2 | GASRÖR | MELLANLÄGG. | 3/4 GASRÖR | | | | | | | | | | |

| BEST. Nr | BESTÄLLARE | ST. | A | B | C | D | E | ANM. | M.F. Nr |
|----------|----------------|-----|-----|-----|-----|-----|-----|------|---------|
| 1051 | D.M. Ing. | 1 | 100 | 100 | 100 | 100 | 100 | | 23 |
| 1051-2 | KJÖPE-RINGSTED | 1 | 119 | 101 | 69 | 84 | | | |

TILLLOKOMOTIV
REGULATOR.
SKALA 1:1

L. 12130
T.M.V. 10 22/10 1910
KORD. 223
A.N.